

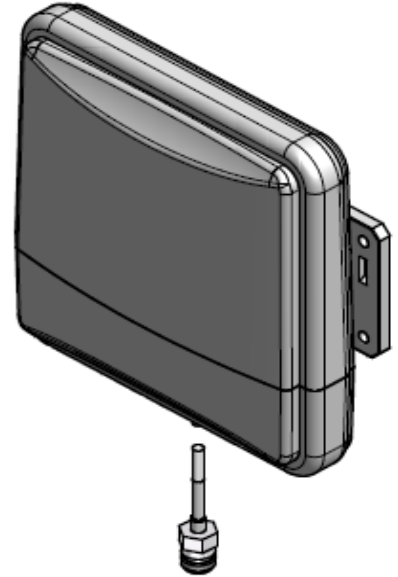
High-Band Patch Antenna

1710~2400 MHz / 11dBi


PIW-WPA-11

i. Electrical Specification

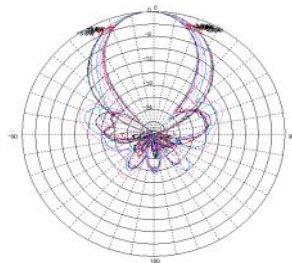
항 목		Patch Antenna
Frequency Range (MHz)		1710~2400
Polarization		Vertical
Band Width		690MHz
Gain		≥ 11 dBi
Beam width	Horizontal	≥ 35°
	Vertical	≥ 30°
F-B ratio		≥ 15dB
VSWR		1:1.5
Impedance		50 Ω
IMD (3rd)		≤ -140 dBc @ 2x37dBm
IMD (5th)		≤ -160 dBc @ 2x37dBm
Maximum input power		50 W



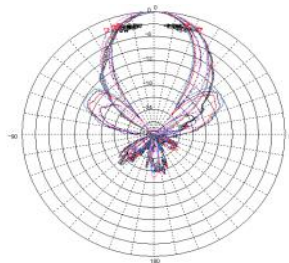
ii. Mechanical Specification

Radom Dimension (HxWxD)	195 x 45 x 195 mm
Weight (Exclude bracket)	≤ 0.6 kg
Connector Type	N-J (Female), Cable 30Cm
Withstand Wind Pressure	60 m/sec
Radiator Material	PCB
Radome Material	ASA
Radome Color	 Cool Gray 1C
Mechanical Down Tilt	Up, Down ± 30°
	Left, Right ± 30°
Temperature	-40 °C ~ 70 °C
Packing Size (H x W x D)	-

iii. Radiation Pattern



Horizontal Pattern



Vertical Pattern